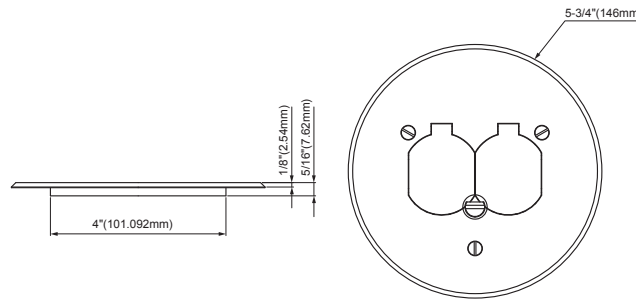
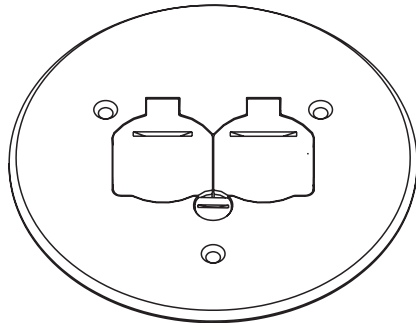




INSTALLATION INSTRUCTION

**5-3/4" Dia. Flush Round Flip Lid Cover Plate
with 20A Duplex Tamper & Weather
Resistant Receptacle
Model Number: 975517-C / 975517-S**



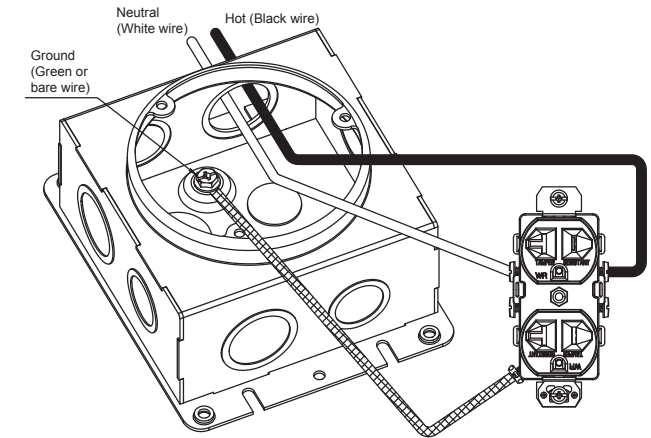
Cover Plate

CAUTION-RISK OF ELECTRIC SHOCK

1. Turn off circuit breaker prior to installing the floor box.
2. Use Copper Wires only.
3. Do not exceed electrical rating of receptacle.
4. All wiring must be in accordance with all applicable National (NEC/CEC), state, and local codes.
5. 12-10 AWG stranded or solid copper wire is preferred.
6. Contact professional electrician for further installation questions.

SIZES AND DIMENSIONS

WIRING DIAGRAM



WARRANTY

If this product fails within 2 years from the date of purchase due to a defect in material or workmanship, we will repair or exchange it, free of charge. There are no obligations or liabilities on the part of our company for consequential damage arising out of or in connection with the use or performance of this product or other indirect damages with respect to loss of property, revenue, or product, or cost of removal installation or reinstallation.

SPECIFICATION

Cover Material Brass(C) or Nickel-Plated Brass (S)
 Receptacle:
 Voltage 125VAC, 60Hz
 Load Rating 20 Amp
 Receptacle Material PC

FEATURE

- The choice of color cover in Brass (C) or Nickel-Plated Brass(S).
- Corrosion resistant hardware ensure long life span and reliable performance.
- Easy access to power when you need it.

DESCRIPTION

Flush round flip lid cover plate with duplex tamper & weather resistant receptacle, including a 20 amp duplex tamper & weather resistant receptacle, gasket and cover.

INSTALLATION OF THE KIT

Step 1

Remove knockouts and secure the box onto the floor.
 Pull the wire through the opening of the floors and knockouts and connect wires based on the wiring diagram.

CAUTION:

- Connect wires only when no power is supplied.
- Attach the cover to the box using #8-32 mounting screws and tighten firmly.

